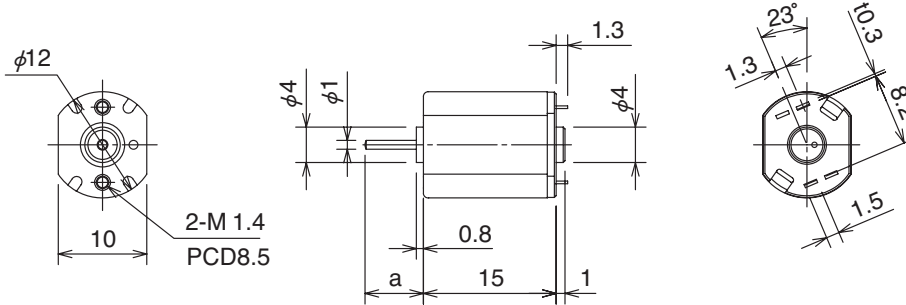




Weight:5.2g

## Outline UNIT:mm



## Specifications

Model	Operating Voltage (V)	Rated Voltage (V)	No Load Speed (min <sup>-1</sup> )	No Load Current (mA)	Rated Load		Rated Load Speed (min <sup>-1</sup> )	Rated Load Current (mA)	Starting Torque		Starting Current (mA)	Shaft Length (mm)
					(gf·cm)	(mN·m)			(gf·cm)	(mN·m)		
M1N6FB08C	1 to 5	5.0	14000	35	2.0	0.2	10909	91	11.2	1.10	395	a=6.6
M1N6GB95B	1 to 5	5.0	15700	35	2.0	0.2	13786	108	16.7	1.64	637	a=4.6
M1N6GB95F	1 to 5	5.0	15700	35	2.0	0.2	13786	108	16.7	1.64	637	a=8.6

## Characteristics

