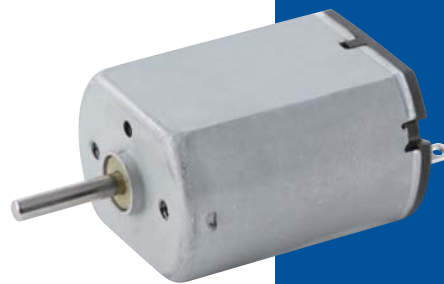
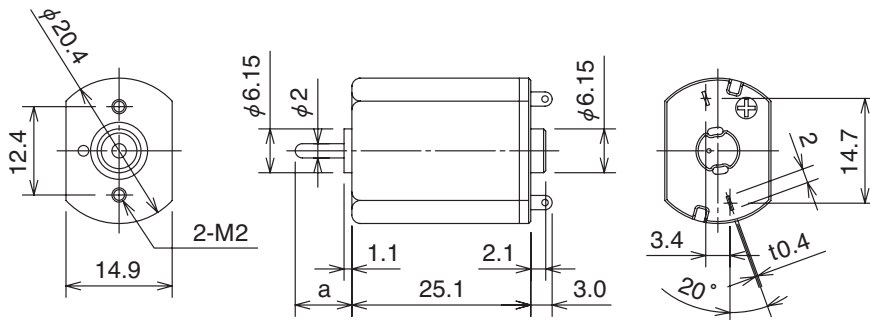


PWN10E



Weight:24.6g

Outline UNIT:mm



Specifications

Model	Operating Voltage (V)	Rated Voltage (V)	No Load Speed (min ⁻¹)	No Load Current (mA)	Rated Load		Rated Load Speed (min ⁻¹)	Rated Load Current (mA)	Starting Torque		Starting Current (mA)	Shaft Length (mm)
					(gf·cm)	(mN·m)			(gf·cm)	(mN·m)		
PWN10EA02C	2 to 9	6.0	4900	34	10.0	0.98	3974	128	53.1	5.20	531	a=11.35
PWN10EB12C	5 to 15	12.0	6880	32	20.0	1.96	4871	165	68.5	6.71	487	a=11.35

Characteristics

