

PM Motor
PM Type

Reference Characteristics

| | |
|------------------------------|------------------------------|
| Motor Size | PM20S-020 |
| Number of Steps per Rotation | 20(18°/Step) |
| Drive Method | 2-2 PHASE |
| Drive Circuit | UNIPOLAR CONST. VOLT. |
| Drive Voltage | 12[V] |
| Current/Phase | |
| Coil Resistance/Phase | 50[Ω] |
| Drive IC | 2SC3346 |
| Magnet Material | Nd-Fe-B bonded magnet (MS70) |
| Insulation Resistance | 100M[Ω] MIN |
| Dielectric Strength | AC 500[V] 1[min] |
| Class of Insulation | CLASS E |
| Operating Temp. | -10[°C] ~ 50[°C] |
| Storage Temp. | -30[°C] ~ 80[°C] |
| Operating Hum. | 20[%] RH ~ 90[%] RH |

Applications

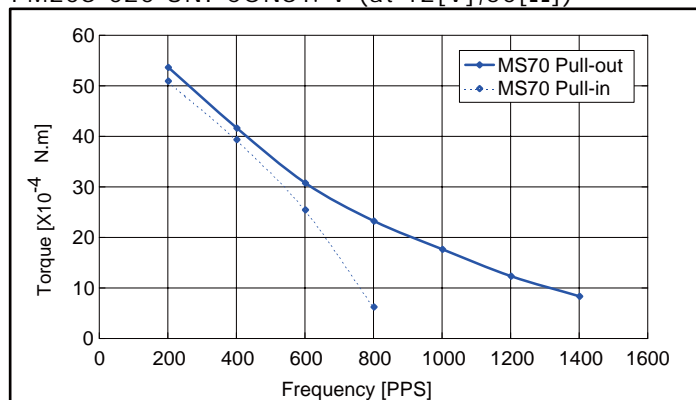
OA Equipment : Printers / Scanners

Automotive : Meters

Home automation appliances : Sewing machines

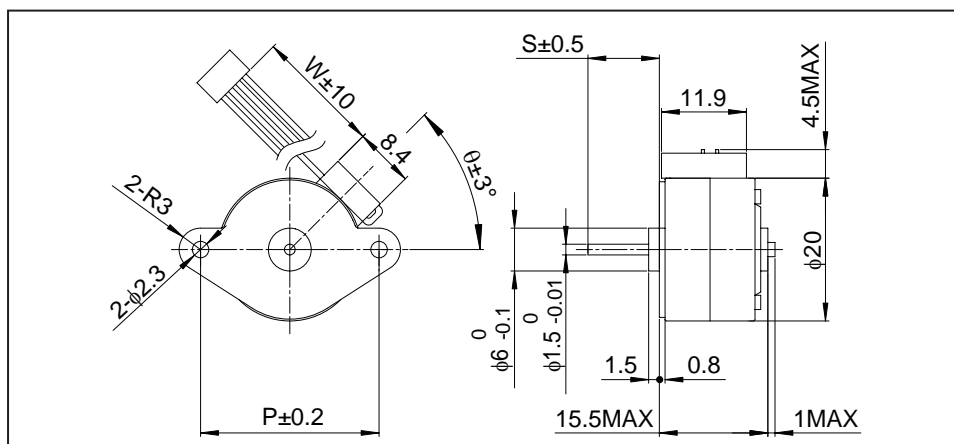
Torque Characteristics

PM20S-020 UNI-CONST. V (at 12[V],50[Ω])



These torque values are reference only. Heat radiation conditions and temperature rise effect by duty are different on each equipment, therefore please select motors after considering the heat conditions in the actual equipment.

Dimensions



If you would like to know this Dimensions(D,S,W,θ), Please see Standard Dimensions in our Home Page.