

PM42S-0X1



PM Motor
PM Type

Reference Characteristics

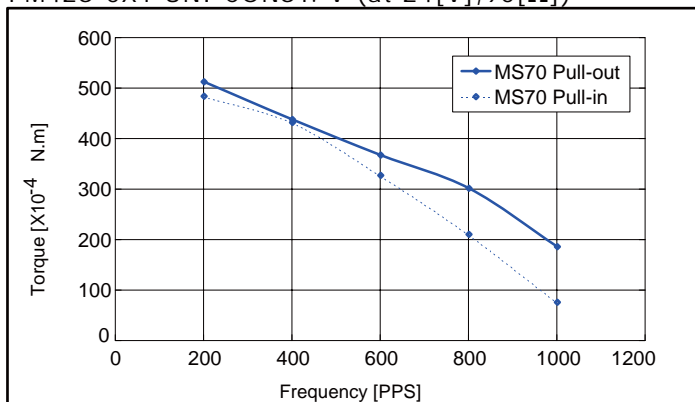
| | | |
|------------------------------|------------------------------|-----------------|
| Motor Size | PM42S-0X1 | |
| Number of Steps per Rotation | 100(3.6°/Step) | |
| Drive Method | 2-2 PHASE | |
| Drive Circuit | UNIPOLAR CONST. VOLT. | BIPOLAR CHOPPER |
| Drive Voltage | 24[V] | 24[V] |
| Current/Phase | 500[mA] | |
| Coil Resistance/Phase | 90[Ω] | 5.8[Ω] |
| Drive IC | 2SC3346 | UDN2916B-V |
| Magnet Material | Nd-Fe-B bonded magnet (MS70) | |
| Insulation Resistance | 100M[Ω] MIN | |
| Dielectric Strength | AC 500[V] 1[min] | |
| Class of Insulation | CLASS E | |
| Operating Temp. | -10[°C] ~ 50[°C] | |
| Storage Temp. | -30[°C] ~ 80[°C] | |
| Operating Hum. | 20[%] RH ~ 90[%] RH | |

Applications

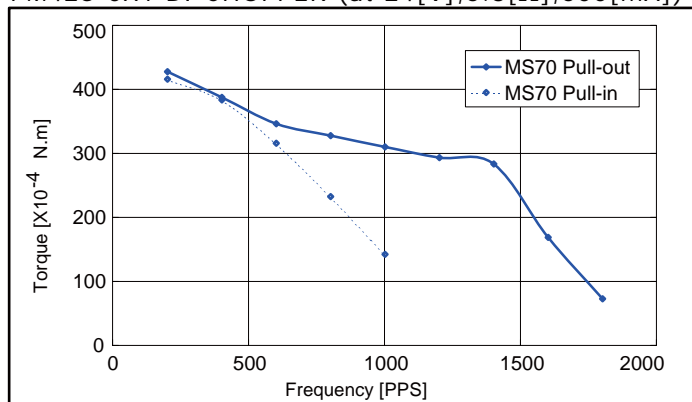
- OA Equipment : Printers / Scanners
- Industrial equipment : Flow control valves
- Toys : Slot machines
- Home automation appliances : Sewing machines

Torque Characteristics

PM42S-0X1 UNI-CONST. V (at 24[V],90[Ω])

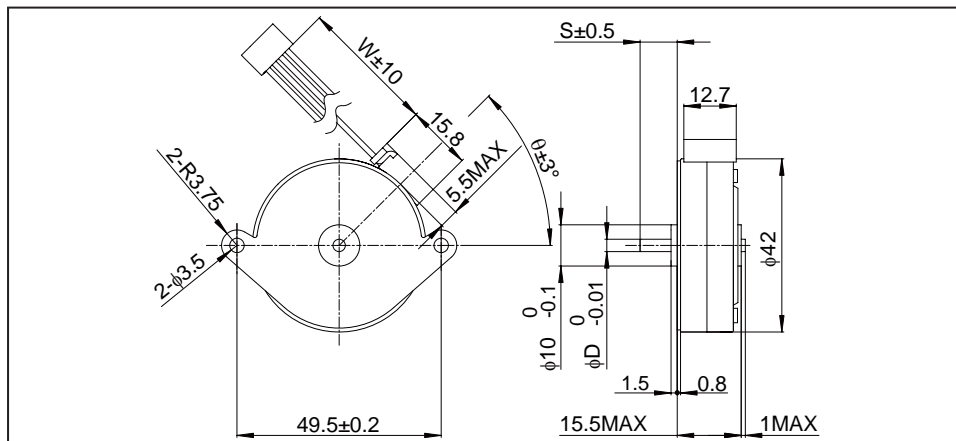


PM42S-0X1 BI-CHOPPER (at 24[V],5.8[Ω],500[mA])



These torque values are general reference values. When using motors, factors such as heat radiation conditions and duty effect heat rise, therefore please select motors after considering the heat conditions in the actual equipment.

Dimensions



If you would like to know this Dimensions(D,S,W,θ), Please see Standard Dimensions in our Home Page.