

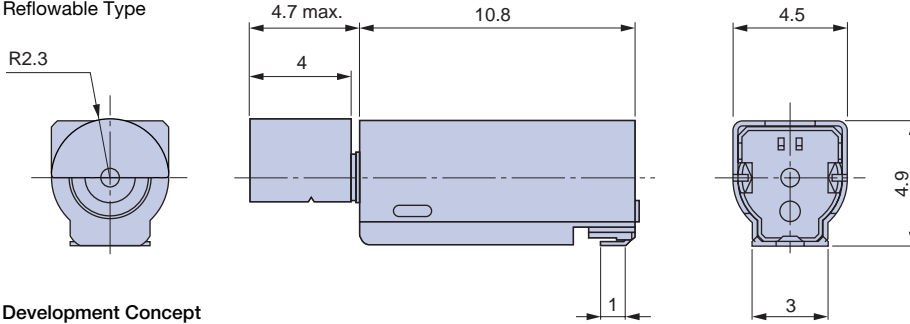
KHN4(Reflow)



Vibration

Outline

● Reflowable Type



■ Development Concept
Reflowable : Pb Free Reflow

- Heatproof material use
1. Resin
 2. Oil
 3. Magnet
 4. Coil

UNIT: mm

Specifications

Model	Operating Voltage (V)	Rated Voltage (V)	Rated Speed (r/min)	Rated Current (mA)	Starting Voltage (V)	Starting Current (mA)	Vibration (N)	Weight (g)	Volume (mm ³)
KHN4NX1RA	1.1 to 1.5	1.3	9,000	52	0.5	74	0.46	0.55	125

Characteristics

