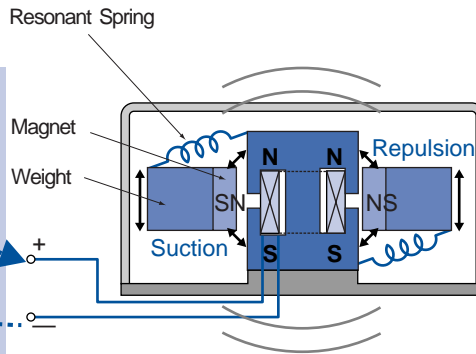
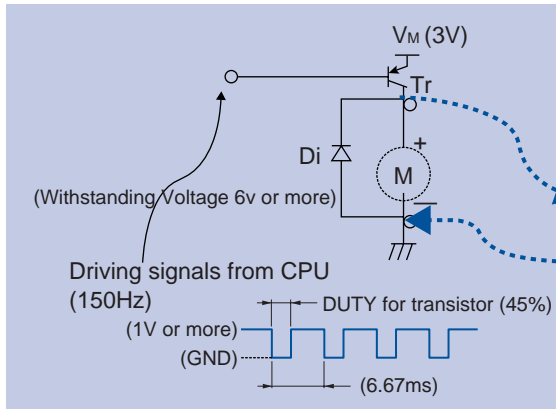




## Principle of Linear Vibration Motor

### Continuously driving



When the motor driving ON, Weight move downside.  
 When the motor driving OFF, Weight move upside.  
 →When the motor driving ON-OFF onstantly(150Hz) motor is vibrating.