

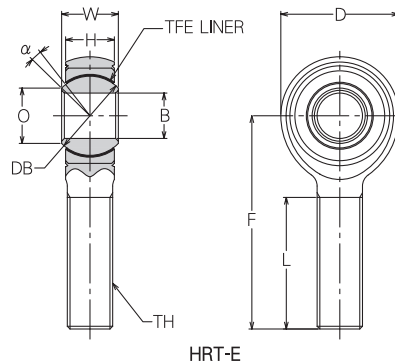
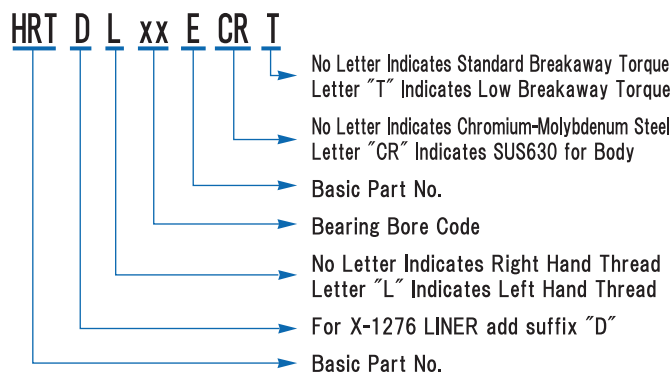
# HRT-E

**MALE ROD ENDS**      **SELF-LUBRICATING**      **3 PIECE**

**Materials**

	HRT-E	HRT-ECR
<b>BODY</b>	Chromium-Molybdenum Steel Zinc Plated	SUS630 Stainless Steel Passivated
<b>RACE</b>	410 Stainless Steel / Heat Treated	410 Stainless Steel / Heat Treated
<b>BALL</b>	440C Stainless Steel / Heat Treated	440C Stainless Steel / Heat Treated
<b>LINER</b>	Teflon / Fabric	Teflon / Fabric

**Description of Types**



Dimensions in mm

MINEBEA Part No.	$\phi B$ H7	$\phi D$ $\pm 0.50$	$W_0$ $-0.13$	H $\pm 0.13$	F $\pm 0.5$	TH JIS Class 2	L $\pm 0.7$	$\alpha$ (deg.)	$\phi O$ Ref.	S $\phi$ DB Ref.	No Load Rotational Breakaway Torque N · m	Static Limit Load kN(3)		Radial Static Ultimate Load (3) kN	Fatigue Load (3) kN	Approx. Weight g
											Standard	Radial	Axial (2)			
HRT5E	5	20.5	11.0	8.75	39.5	M5 × 0.8	22.0	15	7.8	13.49	0.06 ~ 0.68 {0.6 ~ 6.9kgf · cm}	10.29	5.09	12.84	2.10	35
HRT6E	6			M6 × 1.0	14.51	18.14		2.99								
HRT8E	8	23.0	12.5	8.25	46.0	M8 × 1.25	29.0	14	10.9	15.48	0.12 ~ 1.13 {1.2 ~ 11.5kgf · cm}	26.77	5.29	33.44	5.54	40
HRT10E	10	26.0		M10 × 1.5	8	12.2		17.46	37.65	6.76		47.07		7.84	65	
HRT12E	12	34.0	16.0	13.25	62.0	M12 × 1.75	37.0	10	15.4	22.22	0.12 ~ 1.13 {1.2 ~ 11.5kgf · cm}	62.46	8.33	78.06	12.94	126
HRT14E	14	36.0	17.0	14.25	64.0	M14 × 2.0		8	18.9	25.40		82.96		9.02	103.65	
HRT15E	15	38.0	18.0	15.25	65.0	M16 × 2.0	39.5	10	19.2	26.99	0.12 ~ 1.13 {1.2 ~ 11.5kgf · cm}	100.71	9.70	125.81	20.98	165 195
HRT16E	16	39.0	19.0		66.5	M16 × 2.0		10	19.2	26.99						
HRT17E	17	41.0	20.0	16.30	72.5	M16 × 1.5	42.0	12	20.4	28.58	0.23 ~ 1.80 {2.3 ~ 18.4kgf · cm}	101.40	10.29	126.70	21.08	220
HRT18E	18	43.0			79.5	M18 × 1.5		10				120.62		12.16	150.72	
HRT20E	20	45.0	22.0	19.30	83.0	M20 × 1.5	50.0	13	22.9	31.75	0.23 ~ 1.80 {2.3 ~ 18.4kgf · cm}	121.30	12.84	151.61	25.20	290
HRT22E	22	52.0			86.0	M22 × 1.5		6				27.1		34.92	156.21	
HRT25E	25	70.0	35.0	25.30	105.0	M24 × 2.0	59.0	15	32.3	47.62	0.23 ~ 1.80 {2.3 ~ 18.4kgf · cm}	300.08	20.88	375.10	62.56	1150
HRT28E	28	75.0			110.0	M27 × 2.0		62.0				14		36.8	50.80	
HRT30E	30	78.0	37.0	26.30	120.0	M30 × 2.0	65.0	40.4	54.77			271.93	24.81	339.89	56.68	1800

**Notes**

- Teflon liner permanently bonded to race I.D.
  - Axial load indicates either the smaller value of static load or proof load.
  - Special specification can bare higher fatigue load.
  - Made to order only.
  - No Load Rotational Breakaway Torque.  
Low Torque All Size: 0.02N · m MAX  
(Radial Clearance 0.05mm MAX)
- Please consult MINEBEA for availability of bearings in this series.

Bore size	~ 6	~ 10	~ 18	~ 30
H7 Tolerance ( $\mu m$ )	+ 12 0	+ 15 0	+ 18 0	+ 21 0