

MBW-CR, MBW-VCR

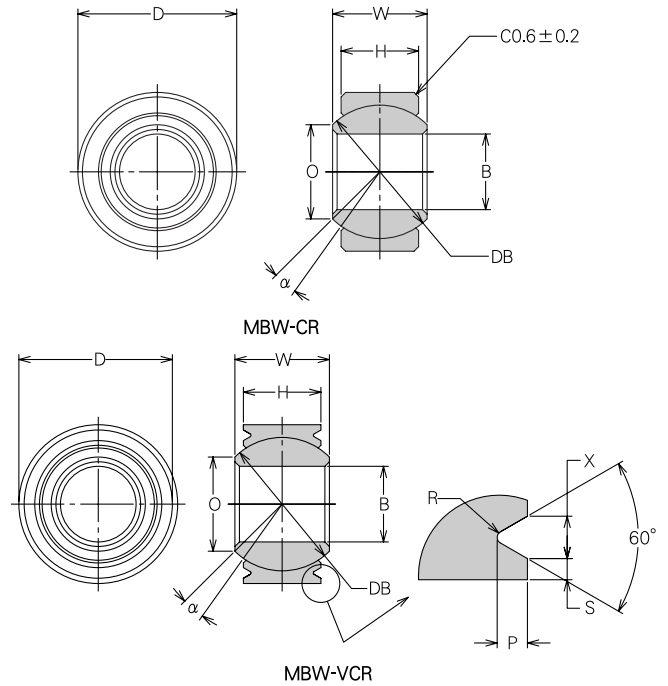
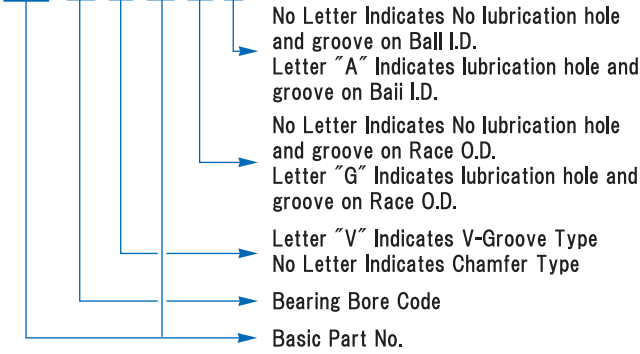
SPHERICAL METAL TO METAL WIDE

Materials

RACE 410 Stainless Steel
 BALL 440C Stainless Steel

Description of Types

MBW xx V CR G A



Dimensions in mm

MINEBEA Part No.	φB H7	φD 0 -0.013	W 0 -0.13	H ± 0.13	α (deg.)	φO Ref.	S φDB Ref.	Staking Groove				Static Limit Load kN		Approx. Weight g
								S 0 -0.25	X 0 -0.25	R 0 -0.25	P 0 -0.4	Radial	Axial	
MBW5CR/MBW5VCR	5	16.0	11.0	8.5	15	7.8	13.494	0.5	1.0	0.4	0.7	59.03	10.68	14
MBW6CR/MBW6VCR	6			8.0	14	10.9	15.478					63.74	9.51	13
MBW8CR/MBW8VCR	8			17.5	10.5	8	12.2					17.462	94.43	16.37
MBW10CR/MBW10VCR	10	21.0	12.5	10.5	8	12.2	17.462	0.7	1.4	1.0	1.0	148.08	39.61	46
MBW12CR/MBW12VCR	12	26.0	16.0	13.0	10	15.4	22.225					182.40	45.99	55
MBW14CR/MBW14VCR	14	28.0	17.0	14.0	8	18.9	25.400					188.28	45.99	59
MBW15CR/MBW15VCR	15	29.0	18.0	14.0	11	19.0	26.194	0.7	2.0	0.5	1.5	207.90	52.75	65
MBW16CR/MBW16VCR	16	30.0	19.0	15.0	10	19.2	26.988					235.35	60.11	80
MBW18CR/MBW18VCR	18	33.0	20.0	16.0	13	22.9	31.750					260.85	60.11	91
MBW20CR/MBW20VCR	20	35.0	22.0	19.0	6	27.1	34.925	0.7	2.0	0.5	1.5	341.27	84.72	150
MBW22CR/MBW22VCR	22	41.0		15	32.3	47.625	612.91					146.11	400	
MBW25CR/MBW25VCR	25	54.0		15	32.3	47.625	612.91					146.11	490	
MBW28CR/MBW28VCR	28	60.0	35.0	25.0	14	36.8	50.800	0.7	2.0	0.5	1.5	654.10	146.11	490
MBW30CR/MBW30VCR	30	64.0				37.0	26.0					40.4	54.769	733.53

Notes

1. MBW - CR & MBW - VCR weights are similar.
 2. Made to order only.
 - (3) For below 4mm in Bore size, bearings are without lubrication grooves.
 4. Radial Clearance All Size: 0.051mm MAX
- Please consult MINEBEA for availability of bearings in this series.

Bore size	~ 3	~ 6	~ 10	~ 18	~ 30
H7 Tolerance (μm)	+ 10 0	+ 12 0	+ 15 0	+ 18 0	+ 21 0