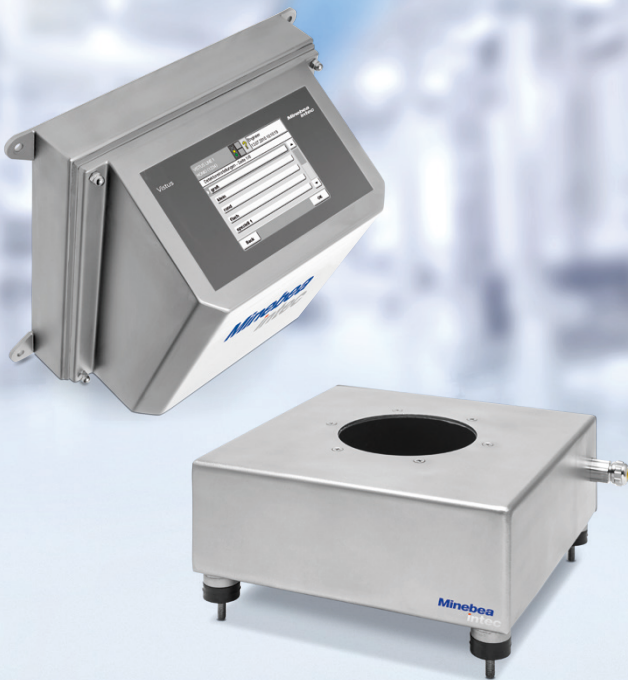


Freefall metal detection system Vistus[®] RS

For space saving integration into a production system



! Benefits

- Safe detection of metallic foreign objects with the highest detection sensitivity
- Exceptionally space saving
- Simple installation and operation
- Reduces defective product quality and customer complaints
- Robust and long-lasting design

The freefall metal detection system Vistus[®] RS is an electromagnetic sensor which reliably detects even the minutest metallic partials during production flow. Its extremely compact design allows for easy integration into your existing production line.

Increased product quality and safety during production process

- ! Free and enclosed foreign objects made from ferrous and non-ferrous metals, light alloys such as aluminium, and stainless steel are all reliably detected.
- ! The compact design allows for easy integration in existing systems.
- ! The user benefits from the intuitive user interface of the Vistus[®] range and numerous of connection options.
- ! Robust stainless steel housing protects against dust and moisture, as per IP65.

The right solution for all of these applications:



Foreign object
detection



Statistics



Statistical process
control

Technical specifications

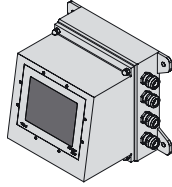
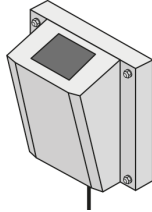
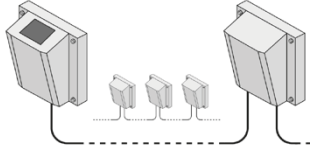
Freefall metal detection system Vistus® RS	
Supply voltage	90–260 V
Voltage frequency	47–63 Hz
Energy consumption	Up to 100 VA
Product speed	0.02–20 m/s
Product temperature	-30 to +55°C
Ambient temperature	Operation: -10 to +55°C Storage: -10 to +70 °C
Relative air humidity	Operation: < 58% at +55°C Storage: < 30 % at +70 °C
Housing	1.4301 stainless steel (AISI 304)
Protection class	IP65
Search tunnel material	PVC
Additional technical features	<ul style="list-style-type: none"> – Signal analysis over two channels – Suppression of the product effect – Adaptive digital filter – System monitoring – Test mode/function

Vistus® RS search coil basic sensitivity		
Search coil nominal width	100	150
Ferrous metals (FE)	0.4 mm	0.6 mm
Stainless steel (VA)	0.9 mm	0.9 mm

During the falling product flow, the Vistus® RS reliably detects free and enclosed foreign objects made from ferrous and non-ferrous metals, light alloys and stainless steels.

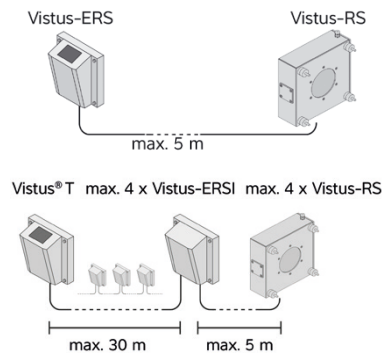
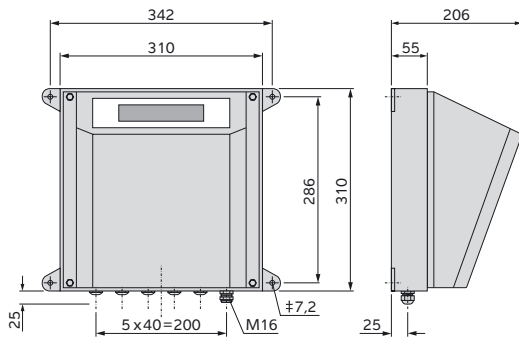
The indicated basic sensitivity is the metal detector's maximum reachable sensitivity with the exclusion of any environmental interferences. The indicated values are calculated and serve as guide values. An indication of the existing product sensitivity in use is only possible after measurement in our test centre with the final product in the metal detector.

Operator terminal options

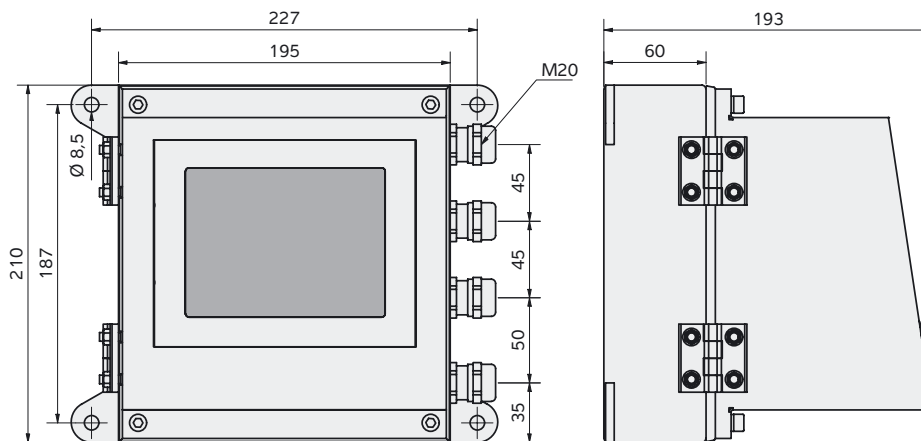
	Vistus® ES	Vistus® ERS	Vistus® T + Vistus® ERSI
	 <p>The most important functions with the smallest footprint.</p>	 <p>The efficient solution with all options and interfaces.</p>	 <p>For special conditions with more search coils or larger distances.</p>
User interface	145 mm (5.7") touchscreen	145 mm (5.7") touchscreen	145 mm (5.7") touchscreen
Relay outputs (isolated)	1 × metal 1 × error	4 (1 × error + 3 × freely programmable)	4 (1 × error + 3 × freely programmable)
Freely programmable outputs	None	4	4
Number of search coils	1	1	3
Max. cable length between coil and terminal (see image)	5 m	5 m	35 m
Housing	1.4301 stainless steel (AISI 304)	1.4301 stainless steel (AISI 304)	1.4301 stainless steel (AISI 304)
Protection class	IP65	IP65	IP65
Weight	Up to 6 kg	Up to 7 kg	Up to 7 kg per component

Technical diagrams

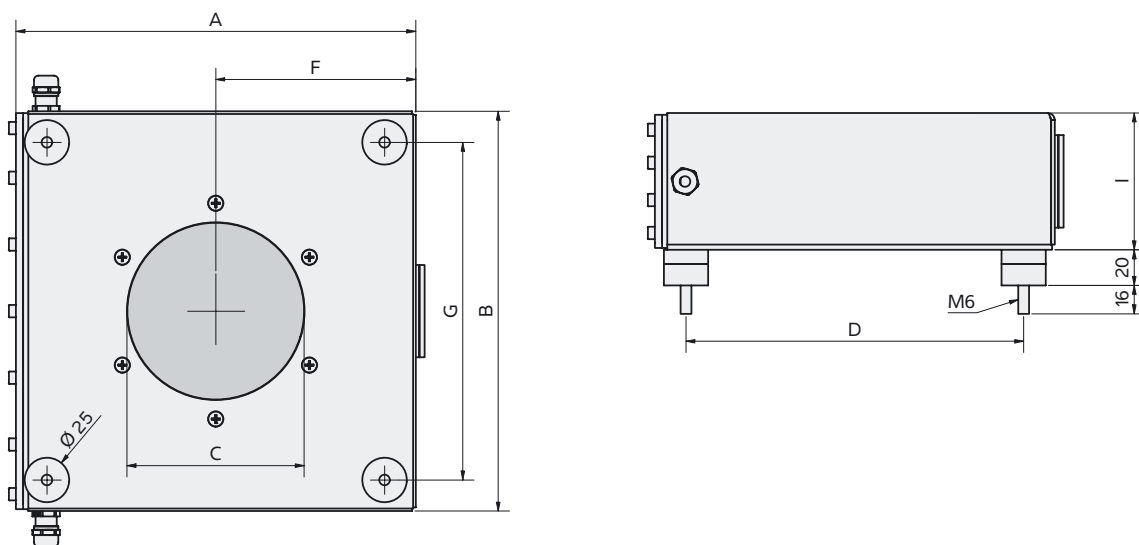
Vistus® ERS operator terminal dimensional drawing



Vistus® ES operator terminal dimensional drawing



Vistus® RS search coil dimensional drawing



Nominal width	A	B	C	D	F	G	I	Weight in kg
100	225	A	100	190	D/2	D	77	Approx. 6
150	295	295	150	260	D/2	D	129.5	Approx. 11

All measurements (A-I) in millimetres.
All information excludes any optional devices which may have been installed.

Vistus® RS search coil metal-free zone

Metal detection disturbances can lead to separation errors or a deterioration in sensitivity, therefore it is important to observe the search coil's 'metal-free zone'.

Examples of potential disruptive factors in this zone include:

- Large metal objects such as housing, frames or tables
- Movable metal objects such as oscillating scaffolding or screwed-on freefall pipe fittings
- Cross-connections of the supporting structure forming short circuit coils
- Metal objects worn by employees (e.g. keys, glasses, jewellery, mobile phone)

Nominal width C	Magnetic steel (FE)		Non-magnetic steel (VA)	
	J	K	J	K
100	400	377	300	277
150	600	580	450	430

All measurements (A-I) are approximate values in millimetres.
All information excludes any optional devices which may have been installed.

The size of the metal-free zone depends on the nominal width of the metal detector as well as the type of metal. The following information serves as minimal guide values and can strongly deviate depending on installation location.

Options

A wide range of options increase your possibilities

- Signal lights & signal horn
- Fingerprint sensor

Interfaces available (only for Vistus-ERS/T/ERSI)

- RS 232, RS 422, TCP-IP XML server/client, Profibus, USB printing, remote control, SPC@Enterprise



Test piece case with test sphere or alternative test rod available.
Other optional variants are available.

The products and solutions presented in this data sheet make major contributions in the following sectors:



The technical data given serves as a product description only and should not be understood as guaranteed properties in the legal sense.

Specifications subject to change without notice.
Rev. 10/2019

Minebea Intec Aachen GmbH & Co. KG
Am Gut Wolf 11
52070 Aachen, Germany
Phone +49.241.1827.0
sales.ac@minebea-intec.com
www.minebea-intec.com