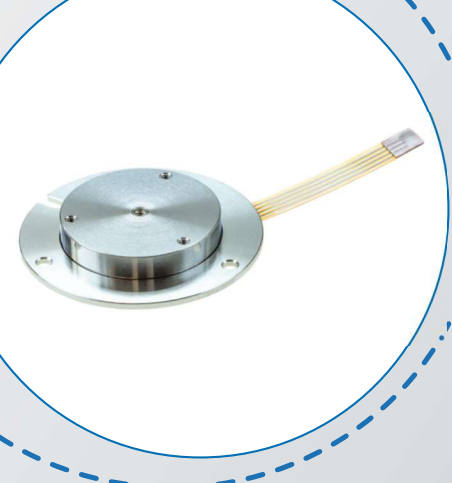


# BLDC FDB SYOV

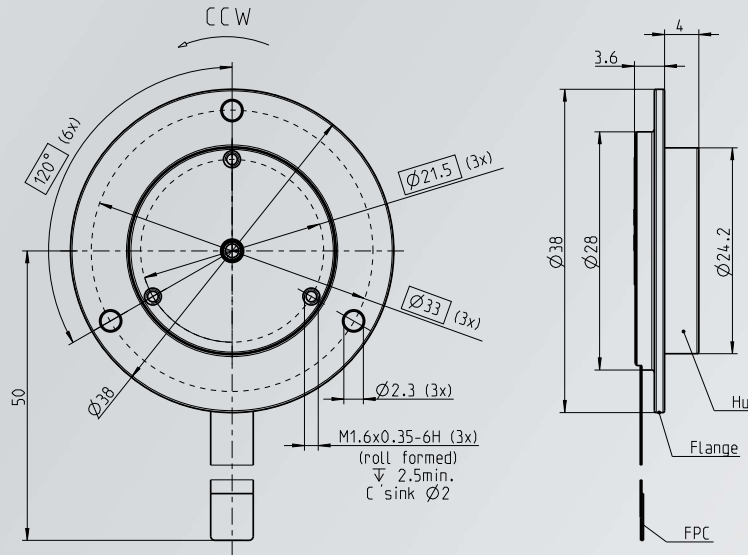
Brushless 3 – Phase DC Motor



Rated Voltage*	Rated Speed*	Power at rated speed	Friction Torque at rated speed	Current at rated Speed (without load)
[ V ]	[ rpm ]	[ W ]	[ mNm ]	[ A ]
5	5400	0.244	0.43	0.08

\*The specification for Rated Voltage and Rated Speed are just example values. These parameters are depending on customer requirements and electronics. The Speed Range is also depending on the rotor mass, temperature and center of gravity.

Dwg. No.: 1219-888-00032



## General information

- **Mounting position:** arbitrary
- **Bearing system:** FDB (Fluid Dynamic Bearing)
- **Torque Constant Kt:** 5.4 mN•m/A
- **Weight:** 0.025 kg
- **Polar Rotor Inertia:** 1.26 x 10<sup>-6</sup> kg•m<sup>2</sup>
- **Temperature Range:**
  - operating: -20 °C to +70 °C
  - non operating: -40 °C to +70 °C
- **Direction of Rotation:** CCW only!
- **Number of Poles/Slot:** 12/9
- **Speed range:** 4000 - 7000 rpm\*

## Features

- **Fluid dynamic bearing technology**
  - low noise < sound power overall
  - max 20 dB(A) re 1 pW
  - low vibration
  - low runout (NRRO < 40 nm)
  - wobble error < 3"
- **Run out rotor**
  - axial: < 15 μm
  - radial: < 5 μm
- **Static imbalance** < 20 mg•cm

## Options

- **Integrated Drive Electronic:** No
- **Planetary Gearbox:** No
- **Sensorless Operation:** Yes

# NMB

NMB Technologies Corporation  
39830 Grand River Avenue  
Novi, MI 48375  
USA  
E-Mail: info@nmbtc.com

**MinebeaMitsumi**  
Passion to Create Value through Difference